

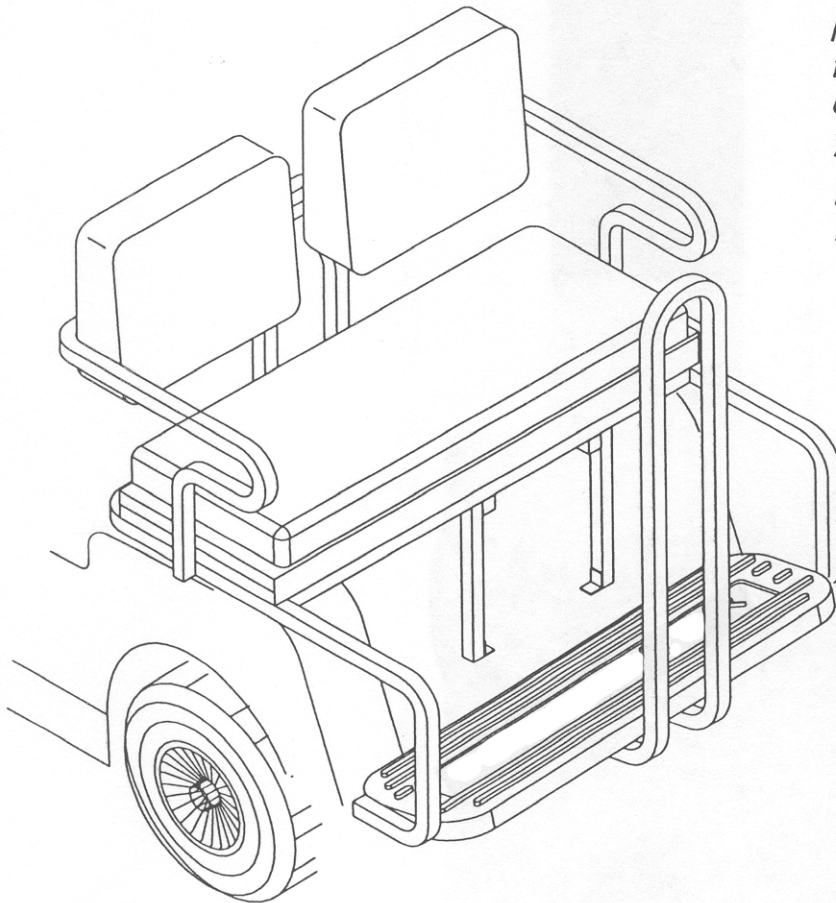
Yamaha G2/G9

FF3025, FF3035, FF3055

REAR SEAT "2-in-1" COMBO

HARDWARE INCLUDED:

- (2) 2" SPACERS
- (2) 1" SPACERS
- (4) 1/8" "L" BRACKETS
- (6) 1-1/2" x 1/4-20 BOLTS
- (8) 1-3/4" x 1/4-20 BOLTS
- (4) 3" x 1/4-20 BOLTS
- (2) 3" x 1/4-20 CARRIAGE BOLTS
- (6) 4" x 1/4-20 BOLTS
- (30) 1/4-20 NUTS
- (48) FLAT WASHERS



NOTE: Some hardware is specific for certain seat kits. You may find extra hardware remaining after your installation.

PLEASE CONTACT SUPPLIER IF ANY HARDWARE IS MISSING.



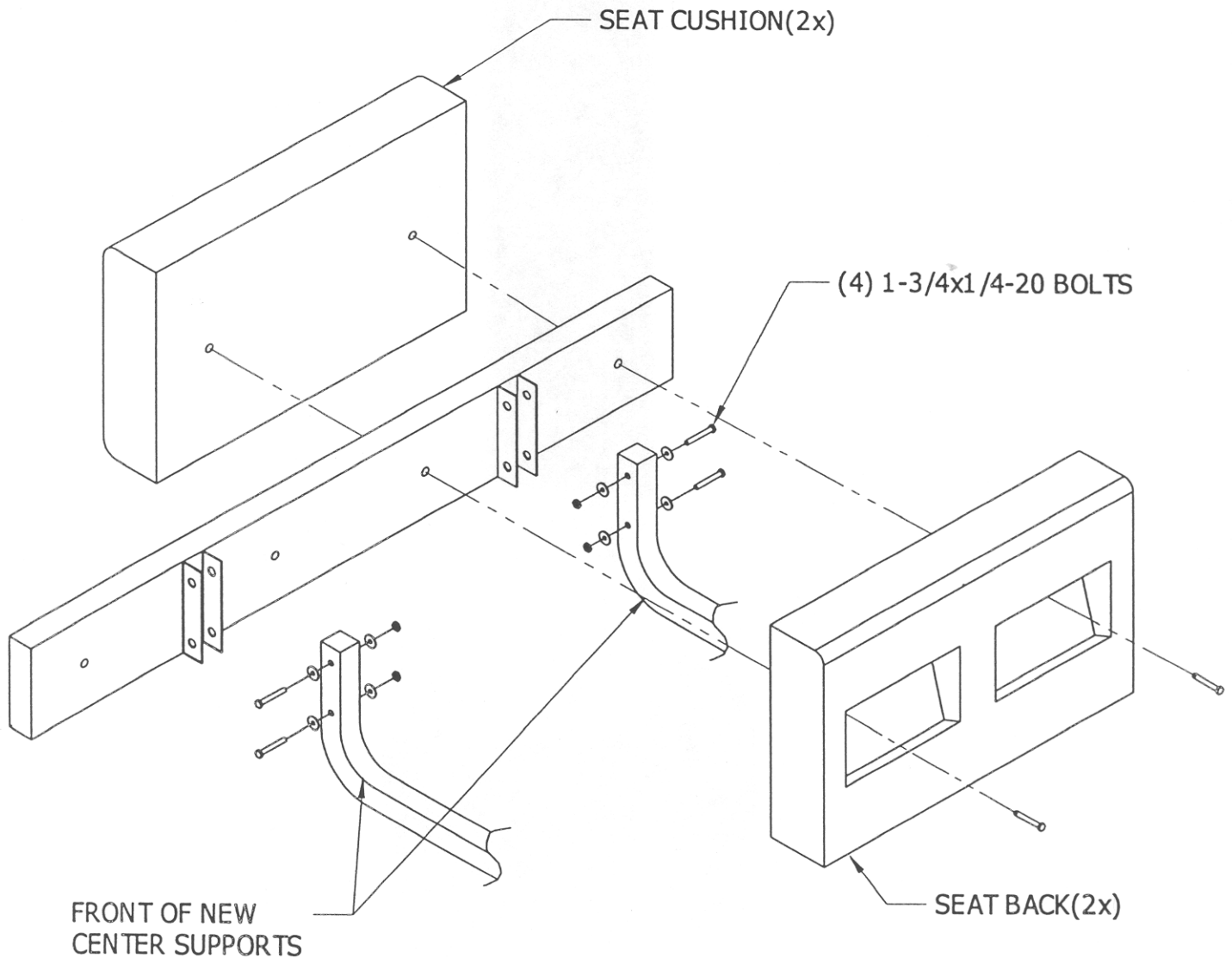
TOOLS REQUIRED:

- 17/64" DRILL BIT/DRILL
- 7/16" SOCKET
- 7/16" WRENCH

STEP 1: MOUNT FRONT SUPPORTS

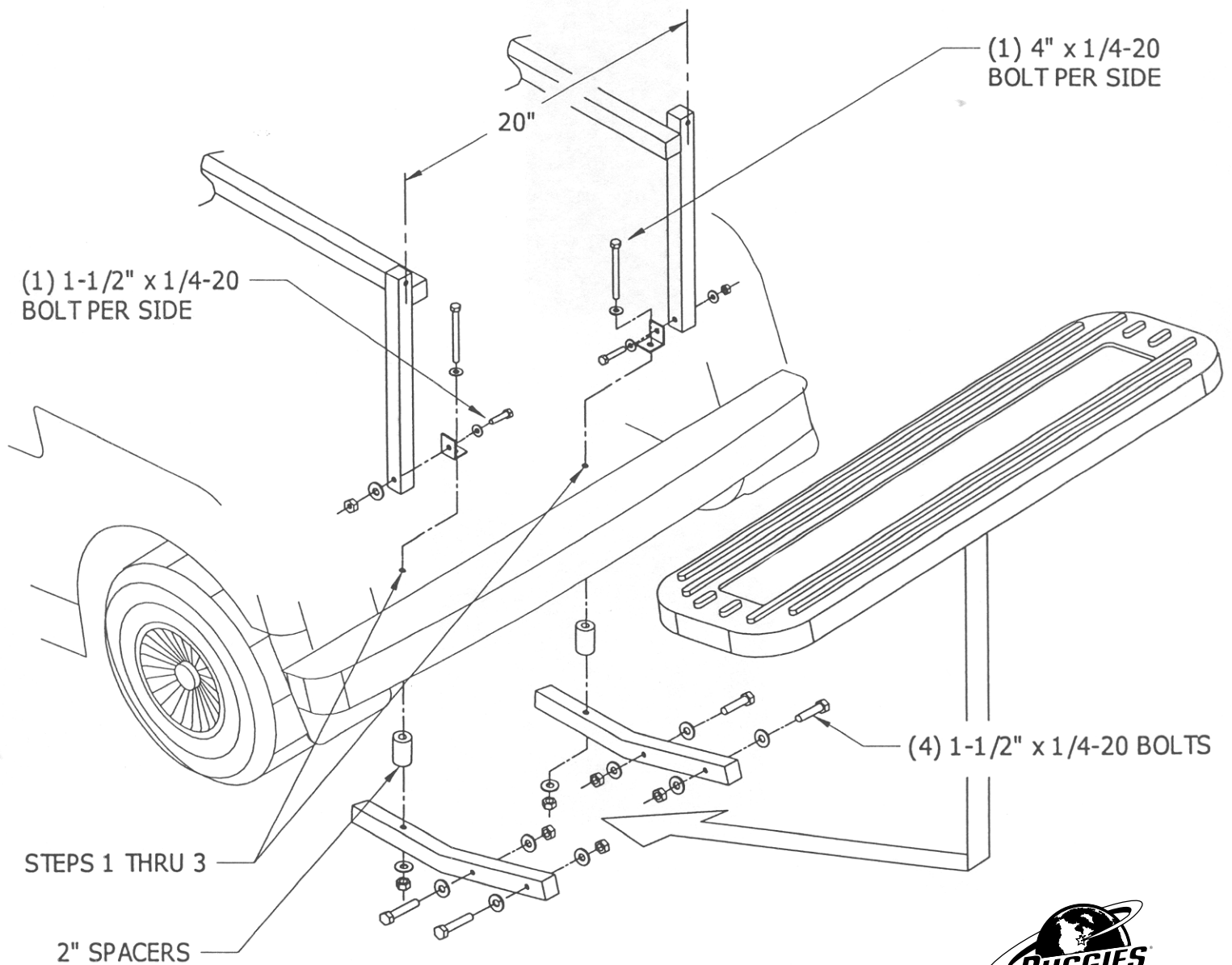
FOLLOW SEQUENCE BELOW; *FINGER TIGHTEN ONLY UNTIL UNIT IS FULLY ASSEMBLED.*

- 1) REMOVE SEAT BACKS FROM SEAT CUSHIONS.
- 2) MOUNT FRONT OF NEW CENTER SUPPORTS TO ORIGINAL SEAT BACK MOUNTS.
- 3) REPLACE SEAT BACKS AND CUSHIONS.



FOLLOW SEQUENCE BELOW; *FINGER TIGHTEN ONLY UNTIL UNIT IS FULLY ASSEMBLED, THEN TIGHTEN COMPLETELY.*

- 1) MOUNT 1/8" "L" BRACKETS TO LOWER CENTER SUPPORT TUBES (FACING THEM INWARD).
- 2) NOTE: MAINTAIN 20" DIMENSION; HOLE CENTER TO HOLE CENTER, BEFORE DRILLING FLOOR!
- 3) DRILL THROUGH FLOOR AT 1/8" "L" BRACKETS; (MARK FLOOR FIRST AND MOVE COMPONENTS OUT OF THE WAY IF NEEDED).
- 4) BOLT FOOTREST MOUNTING TUBES TO BOTTOM OF FOOTREST.
- 5) MOUNT FOOTREST ASSEMBLY BENEATH BAGWELL WHEN BOLTING DOWN CENTER SUPPORTS AT "L" BRACKETS ON CENTER TUBES THROUGH NEW HOLES IN BAGWELL FLOOR. USE 2" SPACERS AS SHOWN.



FOLLOW SEQUENCE BELOW; *FINGER TIGHTEN ONLY UNTIL UNIT IS FULLY ASSEMBLED, THEN TIGHTEN COMPLETELY.*

- 7) ATTACH SEAT BACK CUSHIONS TO SEAT ASSEMBLY. MOUNT SEAT ASSEMBLY ONTO CENTER SUPPORTS; BOLT ON "L" BRACKETS AS SHOWN; STANDARD SEAT REQUIRES ONE PLACEMENT / "2 in 1" AND "3-IN-1" COMBO VERSIONS REQUIRE THE OTHER PLACEMENT.
NOTE: CROSS BRACE IS ALSO REQUIRED WHEN INSTALLING "3-IN-1" COMBO SEAT KITS.
- 8) MOUNT SIDE TUBES INTO SEAT ASSEMBLY AND ONTO THE STEP. USE SPACERS WITH "COMBO" KITS.
- 9) MOUNT OPTIONAL CENTER HANDLE, (REQUIRED WITH "2 IN 1" AND "3 IN 1" COMBO KITS.
IF HANDLE IS NOT USED, IT IS RECOMENDED TO CUT OFF EXTENDED STUDS BELOW STEP.

